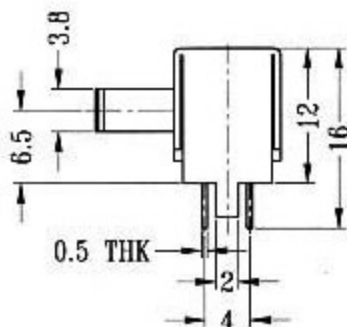
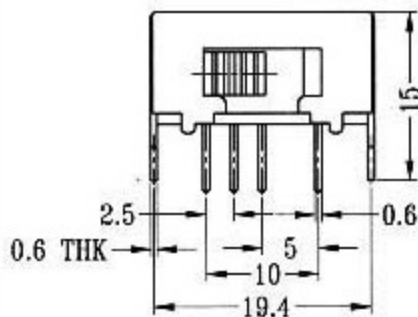
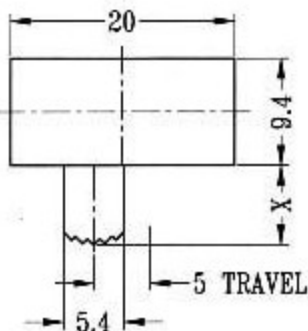


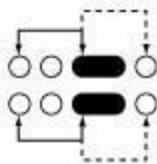
SK-22J01 (L3R1)
SK-22J11 (L1R3)

Optional knob type

MX	GD			



CIRCUIT DIAGRAM



SPECIFICATIONS

Rating : 0.3A 50V DC
 Function : 2P2T