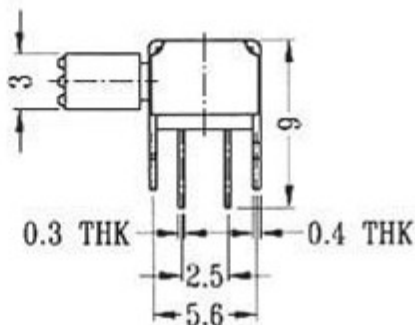
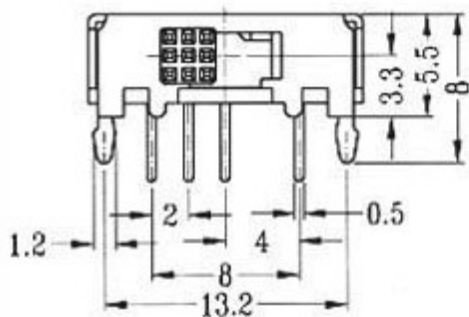
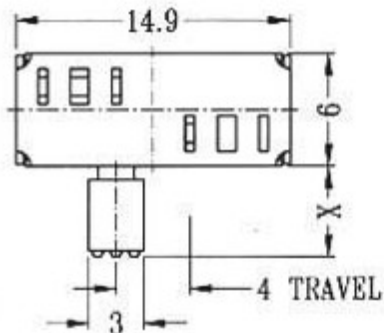


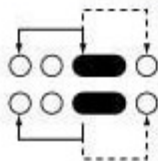
## SK-22H26(L3R1)

Optional knob type

PG	GE	VA			



**CIRCUIT DIAGRAM**



**SPECIFICATIONS**

**NON-SHORTING**

Rating : 0.3A 50V DC

Function : 2P2T