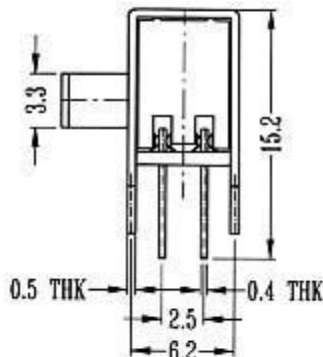
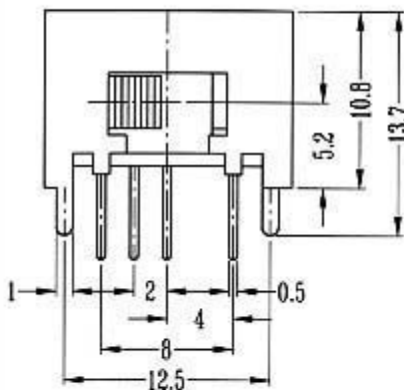


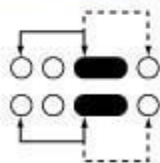
SK-22H23 (L1R3)

Optional knob type

GE				
----	--	--	--	--



CIRCUIT DIAGRAM



SPECIFICATIONS

NON-SHORTING

Rating : 0.3A 50V DC

Function : 2P2T