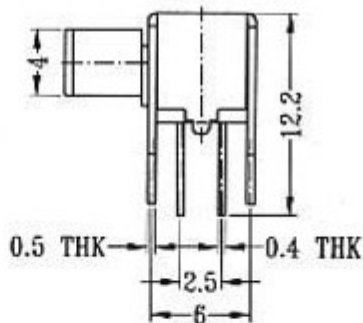
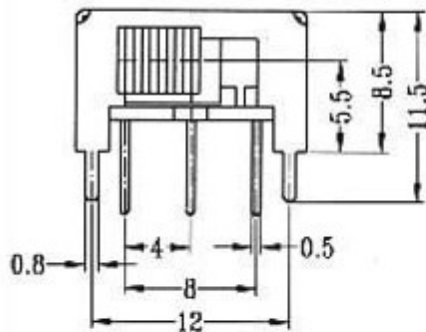
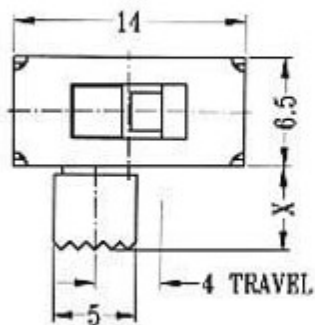


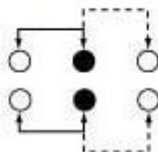
SK-22H19

Optional knob type

GE					



CIRCUIT DIAGRAM



SPECIFICATIONS

Rating : 0.3A 50V DC
Function : 2P2T

N NON-SHORTING