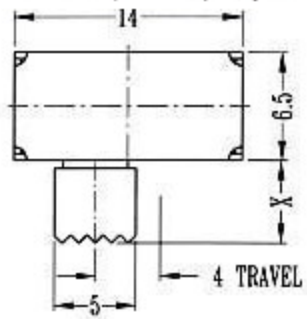
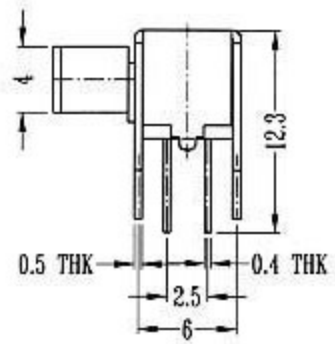
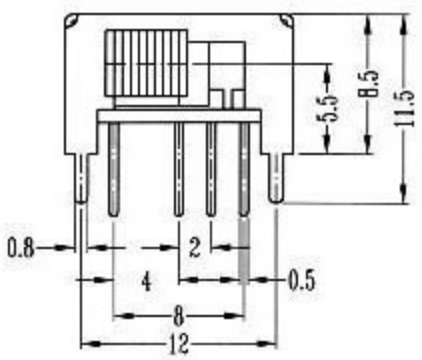


SK-22H11 (L1R3)



Optional knob type

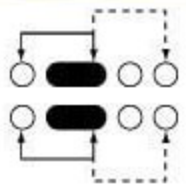
GE					



CIRCUIT DIAGRAM

SPECIFICATIONS

NON-SHORTING



Rating : 0.3A 50V DC
Function : 2P2T