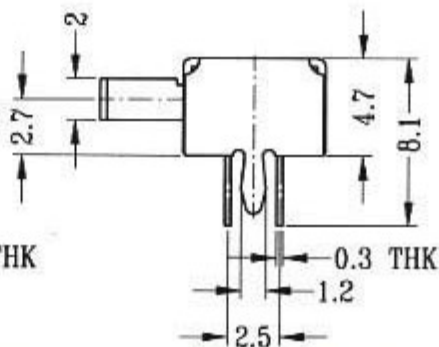
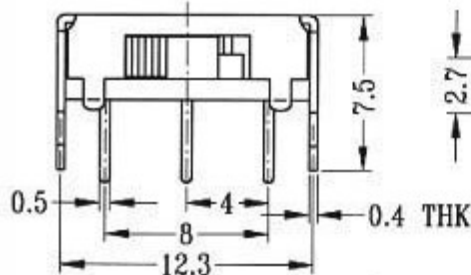
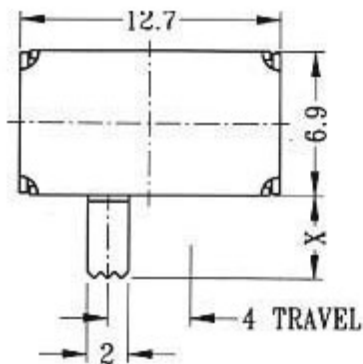


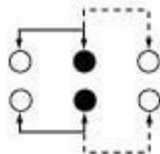
SK-22H07

Optional knob type

| | | | | | |
|----|----|----|--|--|--|
| VA | GE | PG | | | |
| | | | | | |



CIRCUIT DIAGRAM



SPECIFICATIONS

N NON-SHORTING

Rating : 0.3A 50V DC

Function : 2P2T