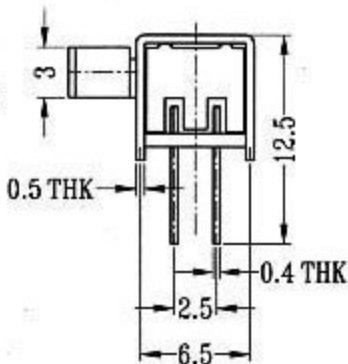
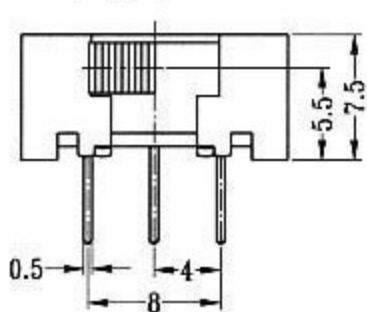
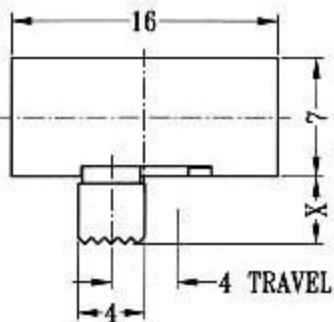


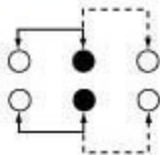
# SK-22H05

Optional knob type

GE					



## CIRCUIT DIAGRAM



## SPECIFICATIONS

Rating : 0.3A 50V DC  
Function : 2P2T

**N** NON-SHORTING