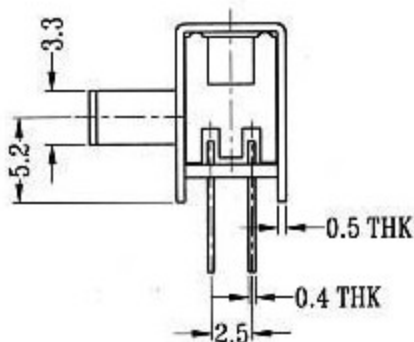
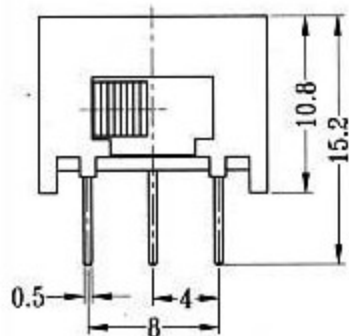
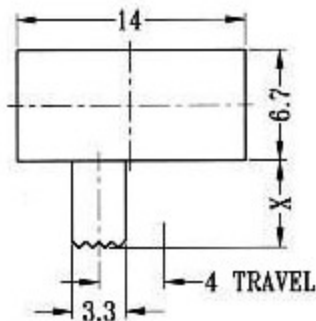


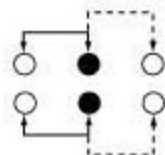
## SK-22H02

Optional knob type

GE					



### CIRCUIT DIAGRAM



### SPECIFICATIONS

Rating : 0.3A 50V DC  
Function : 2P2T

 NON-SHORTING