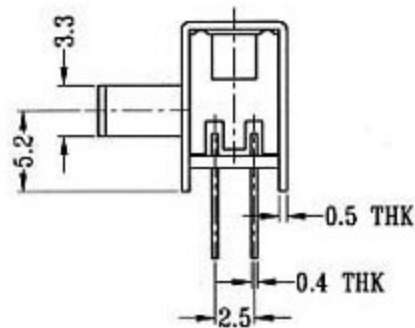
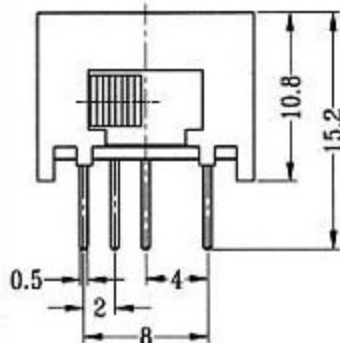


SK-22H01 (L3R1)

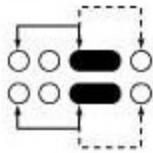
SK-22F21 (L1R3)

Optional knob type

GE				



CIRCUIT DIAGRAM



SPECIFICATIONS

Rating : 0.3A 50V DC
Function : 2P2T