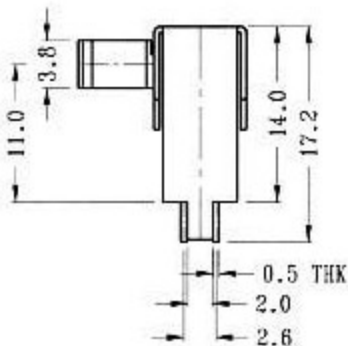
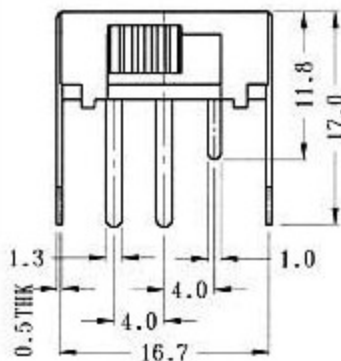
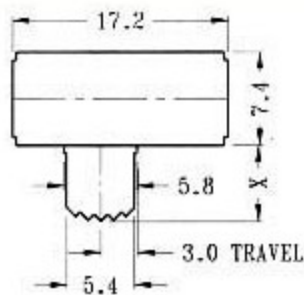


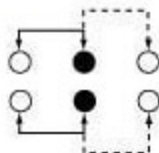
## SK-22F27

Optional knob type

GE					



**CIRCUIT DIAGRAM**



**SPECIFICATIONS**

**N** NON-SHORTING

Rating : 0.5A 50V DC

Function : 2P2T