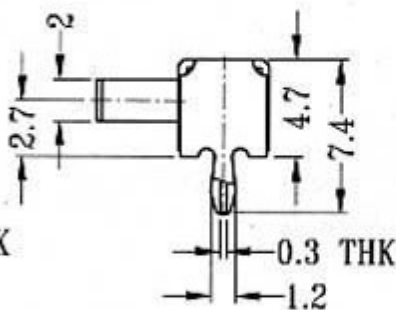
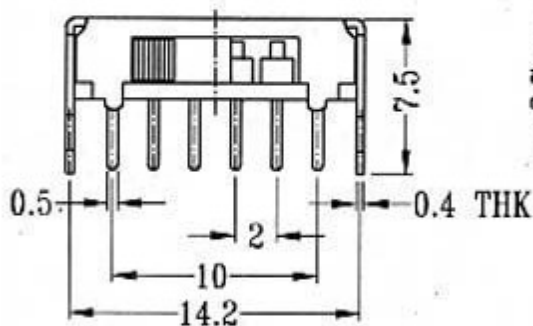
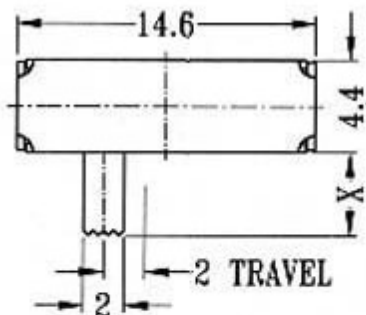


SK-14D01

Optional knob type

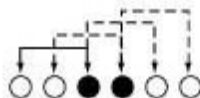
VA	GE				



CIRCUIT DIAGRAM

SPECIFICATIONS

↻ SHORTING



Rating : 0.3A 50V DC

Function : 1P4T