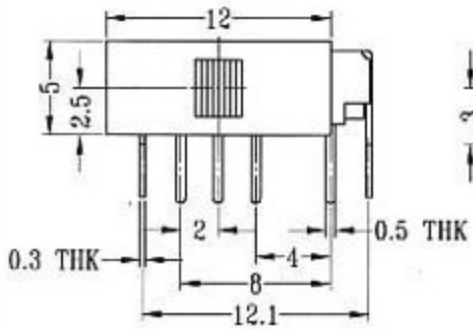
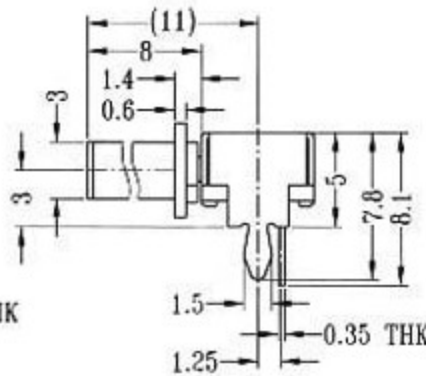
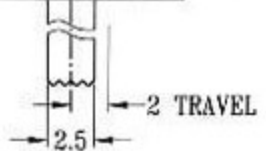
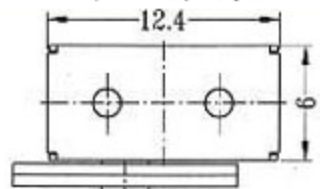


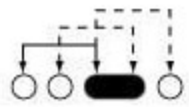
**SK-13D18** (L1R3)

Optional knob type

GE					



**CIRCUIT DIAGRAM**



**SPECIFICATIONS**

Rating : 0.3A 50V DC  
Function : 1P3T

SHORTING