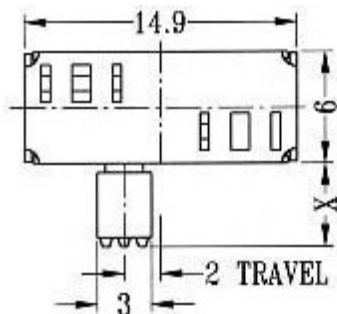
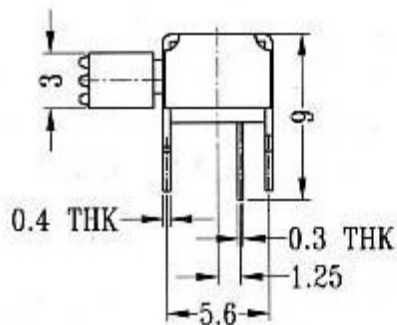
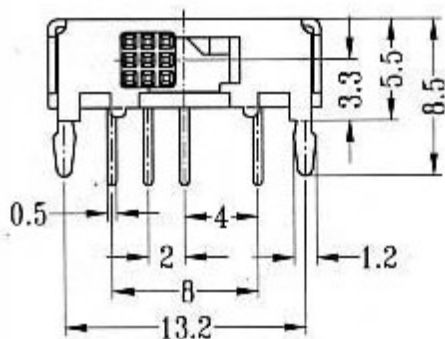


SK-13D12(L3R1)



Optional knob type

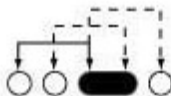
GE	PG	VA			



CIRCUIT DIAGRAM

SPECIFICATIONS

⚡ SHORTING



Rating : 0.3A 50V DC

Function : 1P3T