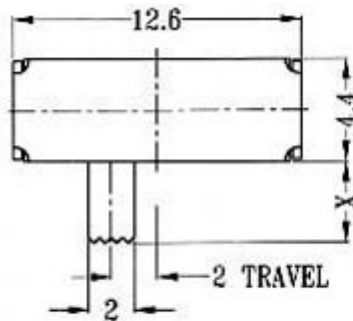
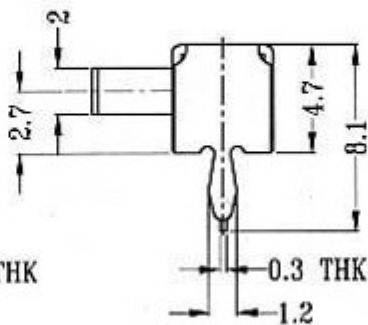
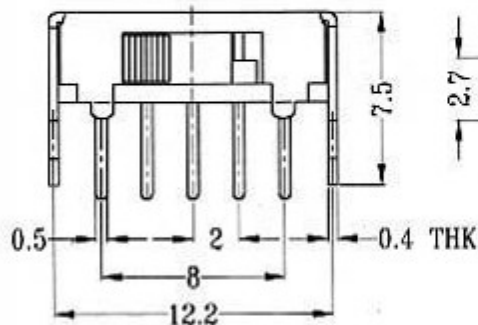


SK-13D10



Optional knob type

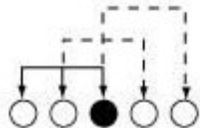
| | | | | | |
|----|----|--|--|--|--|
| VA | GE | | | | |
| | | | | | |



CIRCUIT DIAGRAM

SPECIFICATIONS

Ⓢ SHORTING



Rating : 0.3A 50V DC

Function : 1P3T