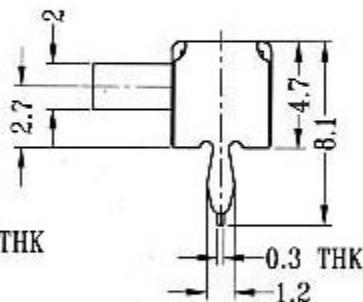
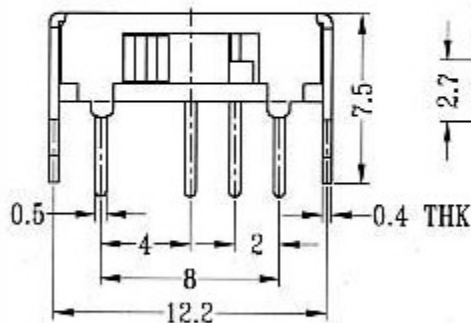
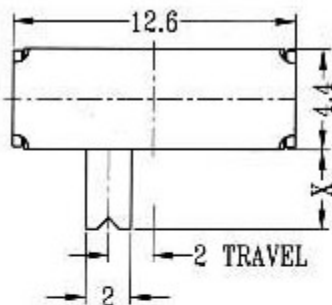


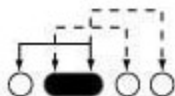
SK-13D05

Optional knob type

VA					



CIRCUIT DIAGRAM



SPECIFICATIONS

Ⓢ SHORTING

Rating : 0.3A 50V DC

Function : 1P3T