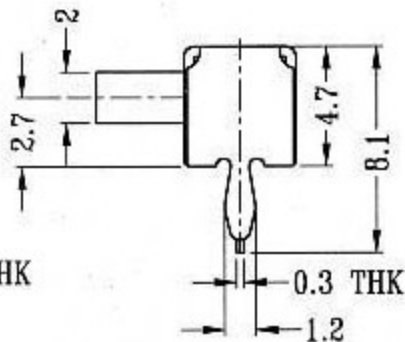
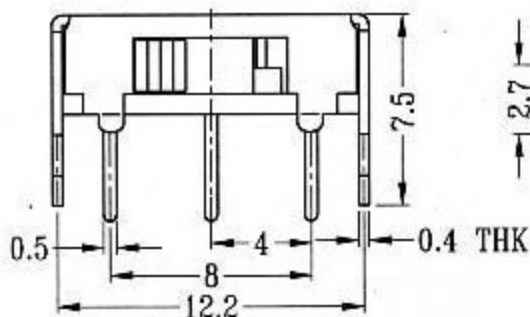
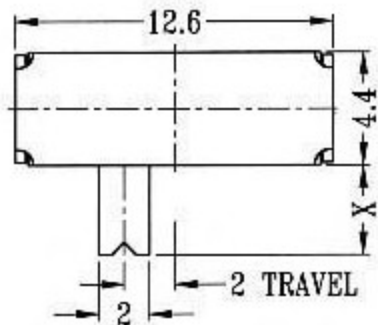


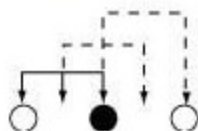
## SK-13D02

Optional knob type

VA	GE				




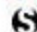
### CIRCUIT DIAGRAM



### SPECIFICATIONS

Rating : 0.3A 50V DC

Function : 1P3T

-  NON-SHORTING
-  SHORTING