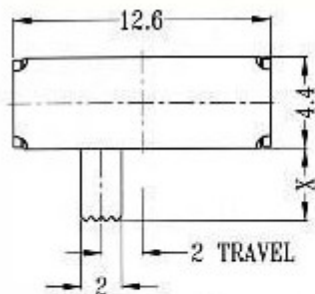
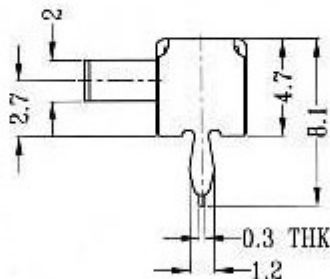
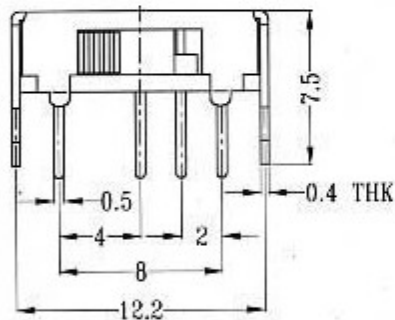


SK-13D01 (L1R3)
SK-13D11 (L3R1)



Optional knob type

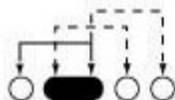
VA	GE			



CIRCUIT DIAGRAM

SPECIFICATIONS

SHORTING



Rating : 0.3A 50V DC
 Function : 1P3T