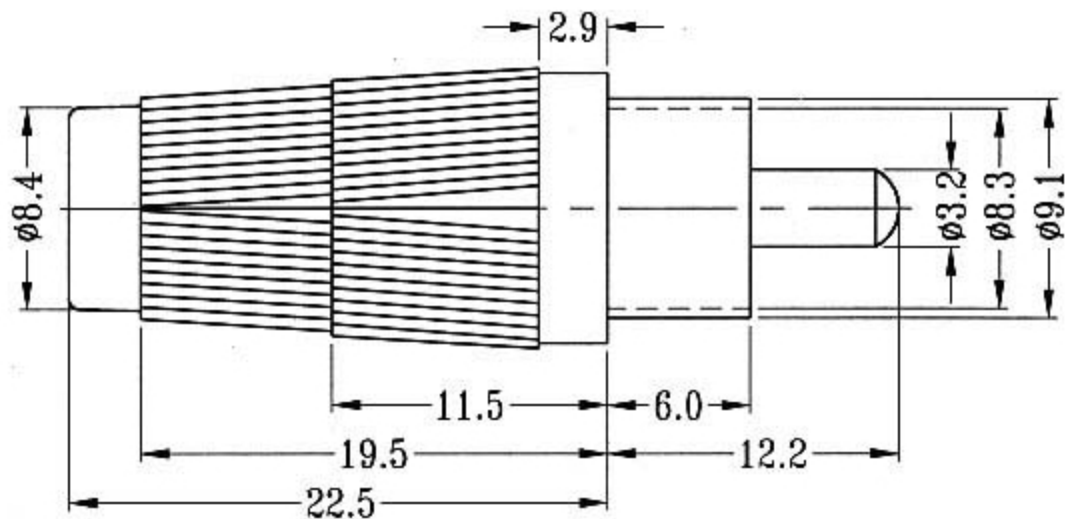


RP-321



CIRCUIT DIAGRAM

SPECIFICATIONS