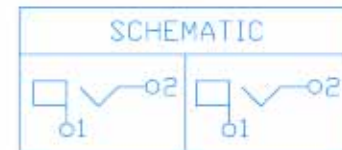
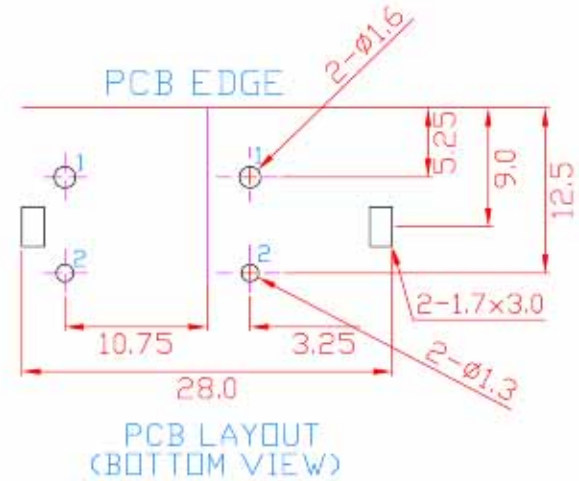
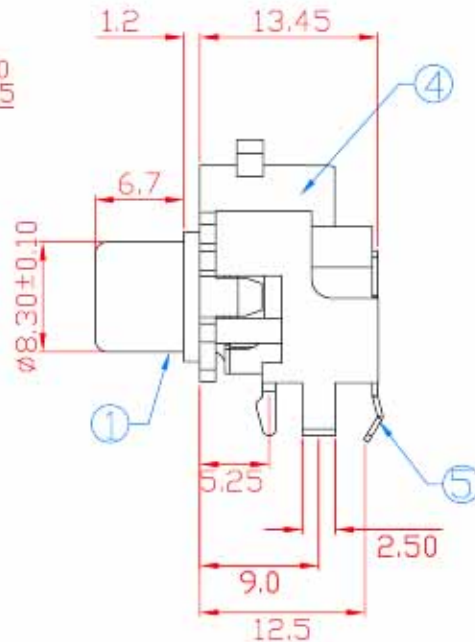
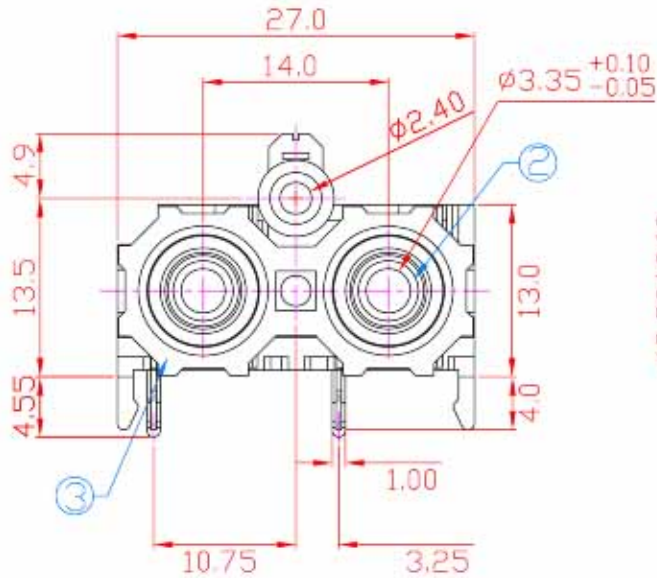


毅永企業有限公司 E-YUNG ENTERPRISE CO., LTD.

REV	ZONE	REVISION	DATE



Specification:

Contact Resistance: 30m Ohm. Max. At AC 100mA Max 1KHz
 Insulation Resistance: 100M Ohm Min. At 500V DC.

Rated Voltage And Current: DC 12V,2A Max ; AC 100V,1A Max
 Dielectric Withstanding Voltage: 500VAC At 60Hz For 1 Minute
 Durability (Life Test): 4000 Cycles

Insertion Force: 0.3~3.0 Kg
 Extraction Force: 0.3~3.0Kg

NO.	NAME	MATERIAL	FINISH	Q'TY
1	BARREL	BRASS 0.40	NICKEL PLATED	2
2	INSERT RING	PBT G.F.	RED,WHITE	2
3	COVER	ABS	BLACK	1
4	HOUSING	PBT G.F.	WHITE	1
5	TERM.	BRASS 0.40	TIN PLATED	2

