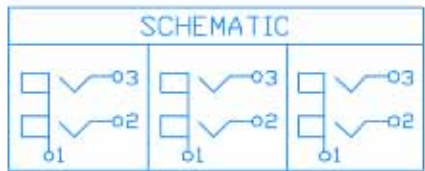
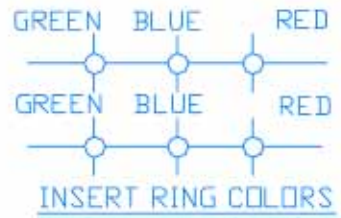
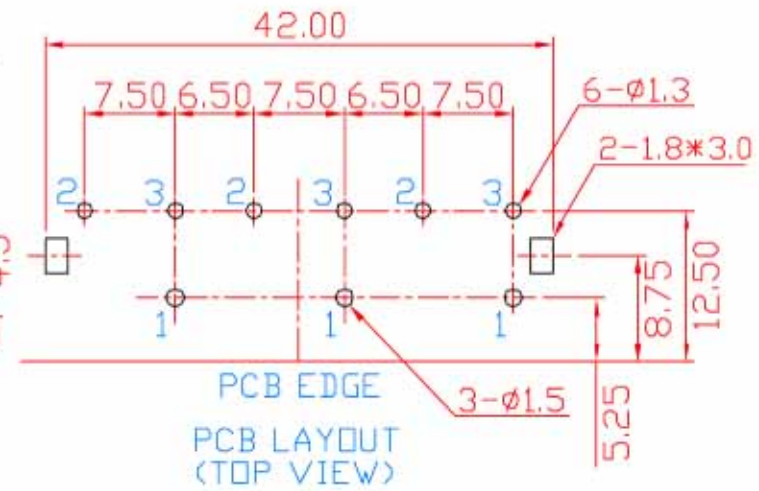
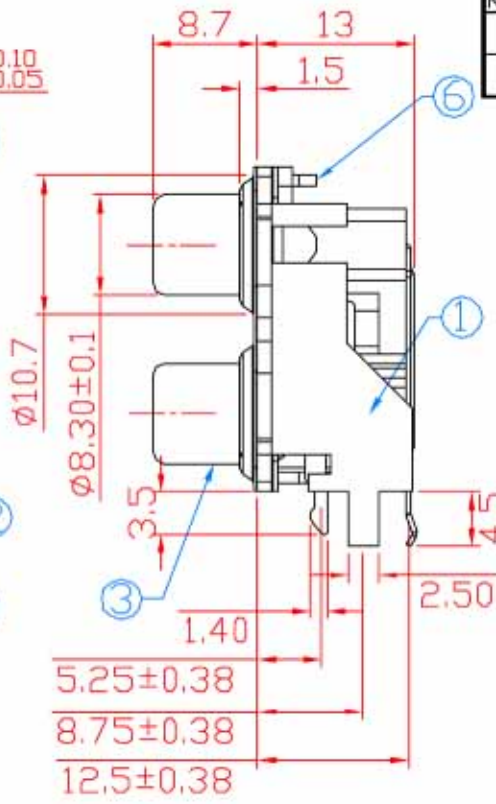
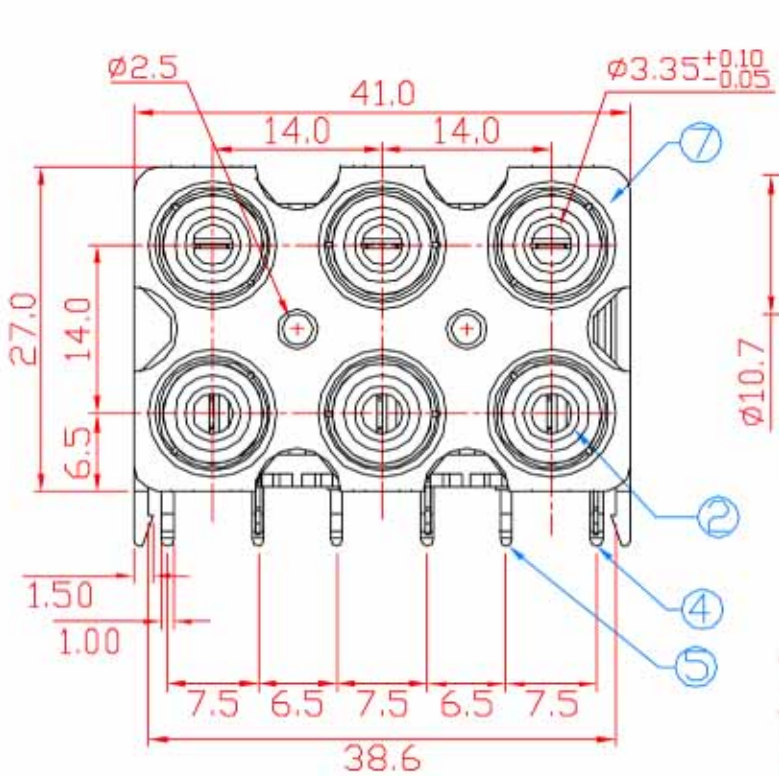


毅永企業有限公司 E-YUNG ENTERPRISE CO., LTD.

REV	ZONE	REVISION	DATE



NO.	NAME	MATERIAL	FINISH	REMARK	Q'TY
1	HOUSING	ABS	RED		1
2	INSERT RING	PBT G.F	GR.BL.R		6
3	BARREL	BRASS T:0.4	NICKEL PLATED	Ni:80~120u"	3
4	TOP TERM.	BRASS T:0.4	TIN PLATED	TIN:120~200u"	3
5	BOTTOM TERM.	BRASS T:0.4	TIN PLATED	TIN:120~200u"	3
6	FRONT COVER	ABS	BLACK		3
7	FRONT METAL SHIELD	BRASS T:0.3	NICKEL PLATED	Ni:80~120u"	1