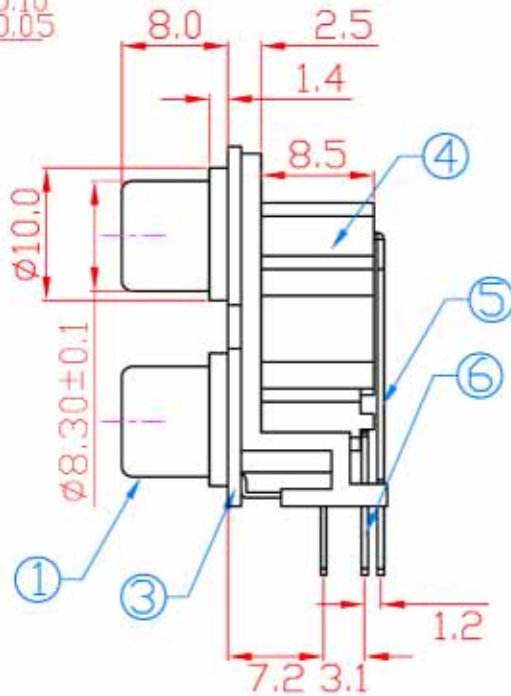
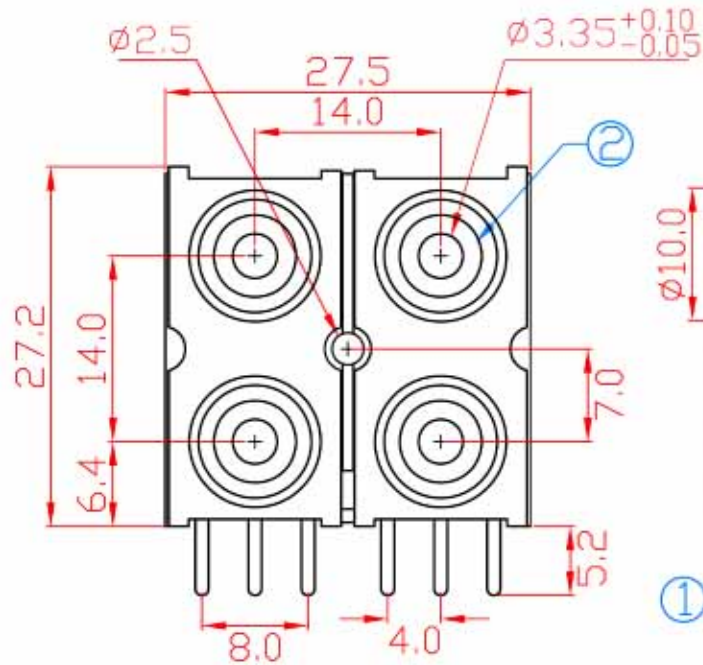
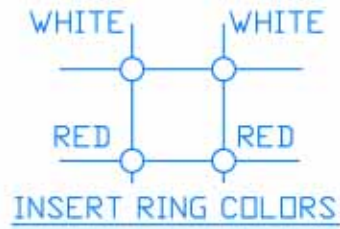
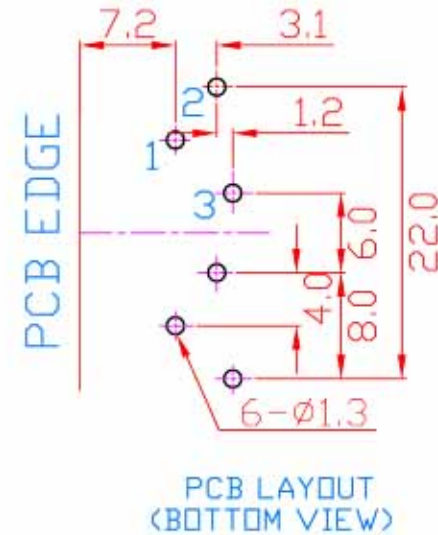
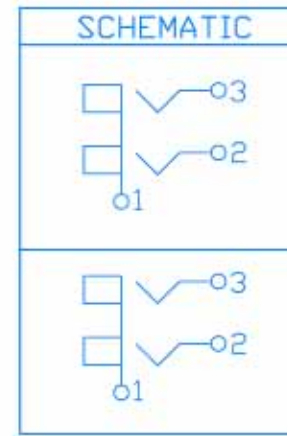


# 毅永企業有限公司 E-YUNG ENTERPRISE CO., LTD.



REV	ZONE	REVISION	DATE



NO.	NAME	MATERIAL	FINISH	Q'TY
1	BARREL	BRASS T:0.4	NICKEL PLATED	2
2	INSERT RING	PBT G.F.	WHITE,RED	4
3	COVER	ABS	BLACK	2
4	HOUSING	ABS	RED	1
5	TERM.	BRASS T:0.5	TIN PLATED	2
6	TERM.	BRASS T:0.5	TIN PLATED	2

## Specification:

- Contact Resistance: 30m Ohm. Max. At AC 100mA Max. 1KHz.
- Insulation Resistance: 100M Ohm Min. At 500V DC.
- Rated Voltage And Current: DC 12V, 2A Max ; AC 100V, 1A Max.
- Dielectric Withstanding Voltage: 500VAC At 60Hz For 1 Minute.
- Durability (Life Test): 4000 Cycles.
- Insertion Force: 0.3~3.0 Kg.
- Extraction Force: 0.3~3.0 Kg.