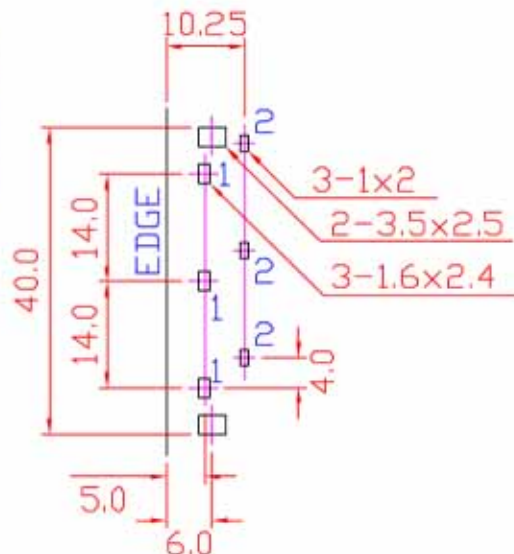
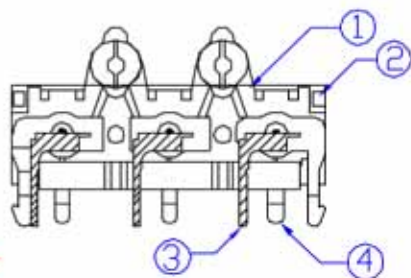
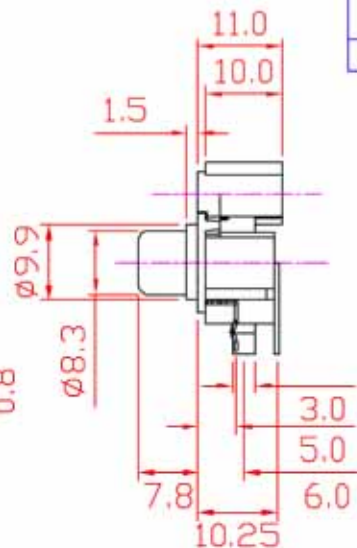
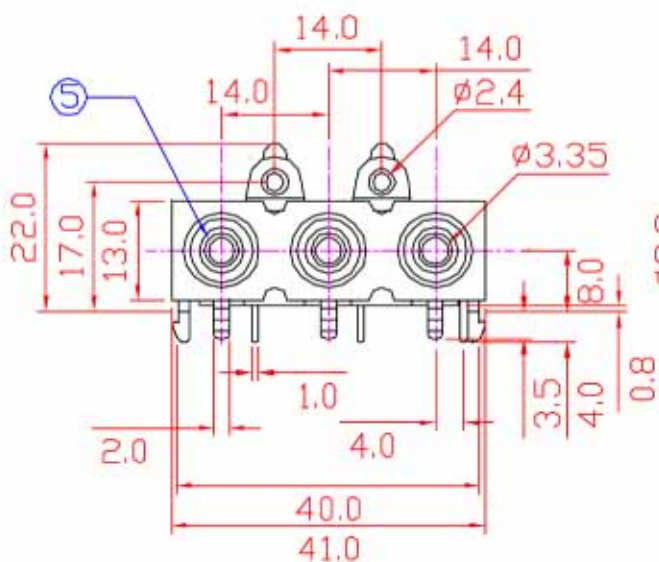
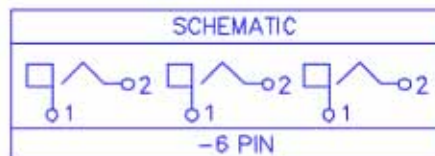
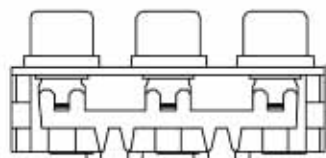


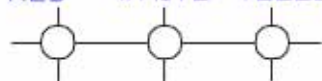
毅永企業有限公司 E-YUNG ENTERPRISE CO., LTD.

REV	ZONE	REVISION	DATE



PCB LAYOUT
(BOTTOM VIEW)

RED WHITE YELLOW



INSERT RING COLORS

NO.	NAME	MATERIAL	FINISH	Q'TY
1	HOUSING	ABS	WHITE	1
2	RETAINER	ABS	BLACK	1
3	TERMINAL	BRASS T:0.4	TIN PLATED	3
4	BARREL	BRASS T:0.5	NICKEL PLATED	3
5	INSERT RING	PBT G.F.	RED.WHITE.YELLOW	3