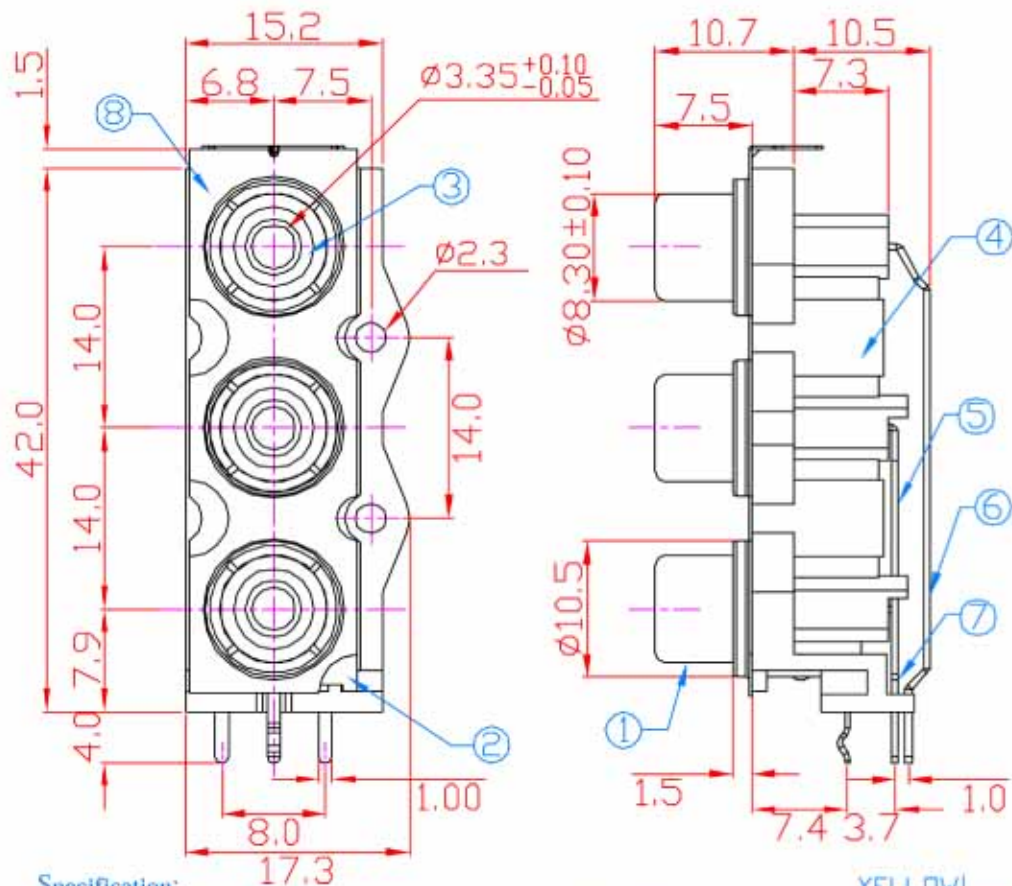


毅永企業有限公司 E-YUNG ENTERPRISE CO., LTD.



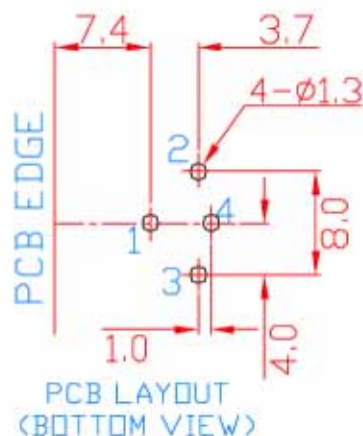
Specification:

Contact Resistance: 30m Ohm. Max. At AC 100mA Max. 1KHz.
 Insulation Resistance: 100M Ohm Min. At 500V DC.
 Rated Voltage And Current: DC 12V, 2A Max ; AC 100V, 1A Max.
 Dielectric Withstanding Voltage: 500VAC At 60Hz For 1 Minute
 Durability (Life Test): 4000 Cycles.
 Insertion Force: 0.3-3.0 Kg.
 Extraction Force: 0.3-3.0Kg.



INSERT RING COLORS

REV	ZONE	REVISION	DATE



NO.	NAME	MATERIAL	FINISH	Q'TY
1	BARREL	BRASS 0.40	NICKEL PLATED	1
2	COVER	ABS	BLACK	1
3	INSERT RING	PBT G.F.	YELLOW/WHITE/RED	3
4	HOUSING	ABS	YELLOW	1
5	TERMINAL	BRASS 0.50	TIN PLATED	1
6	TERMINAL	BRASS 0.50	TIN PLATED	1
7	TERMINAL	BRASS 0.50	TIN PLATED	1
8	SHIELD COVER	BRASS 0.20	NICKEL PLATED	1