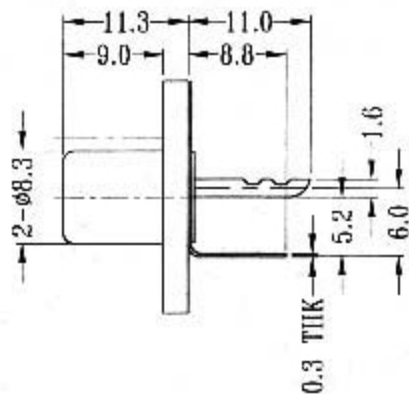
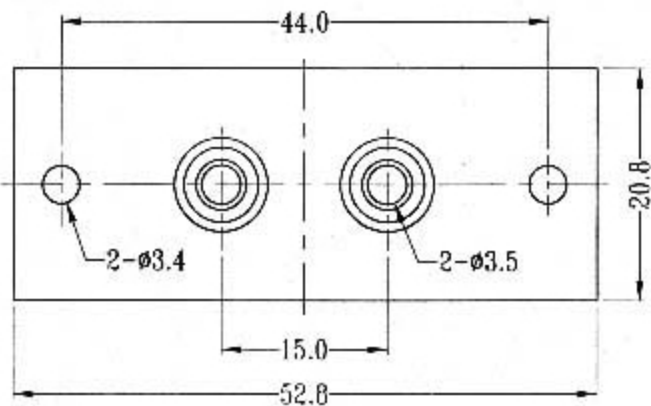
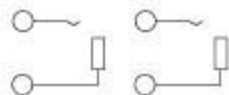


## RC-248



### CIRCUIT DIAGRAM



### SPECIFICATIONS

Rating : 0.3A 30V DC