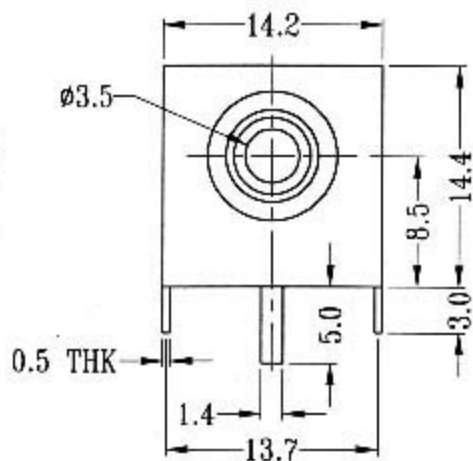
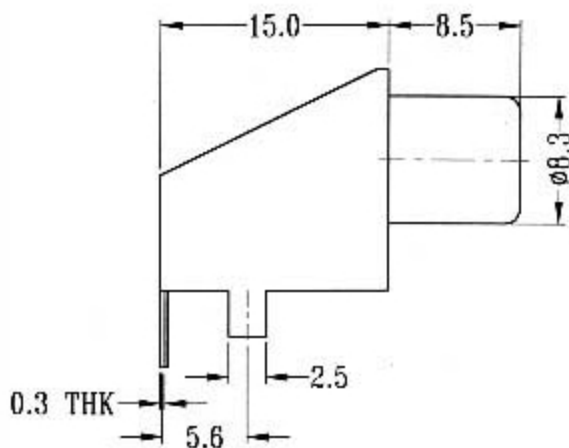
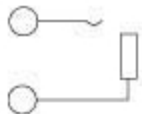


RC-129



**CIRCUIT DIAGRAM**



**SPECIFICATIONS**

Rating : 0.3A 30V DC