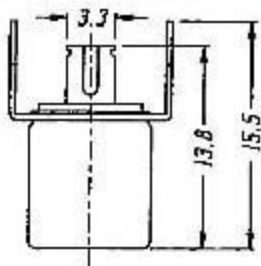
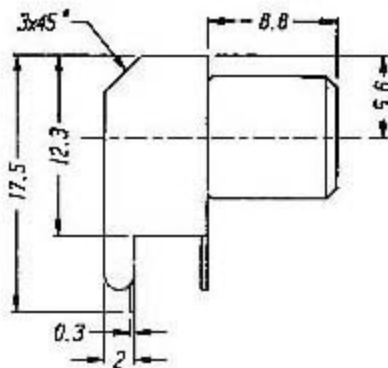
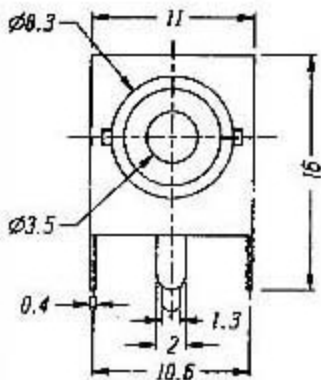


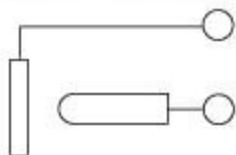
RC-103 SERIES



MODEL NO.	BASE COLOR	EYELET PLATING	COLOR
RC-103-B	NICKEL	NICKEL	BLACK
RC-103-R	NICKEL	NICKEL	RED
RC-103-Y	NICKEL	NICKEL	YELLOW
RC-103-W	NICKEL	NICKEL	WHITE



CIRCUIT DIAGRAM



SPECIFICATIONS

Rating : 0.3A 30V DC