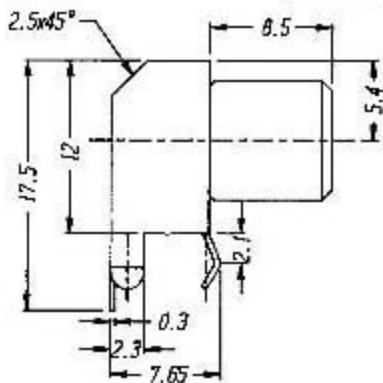
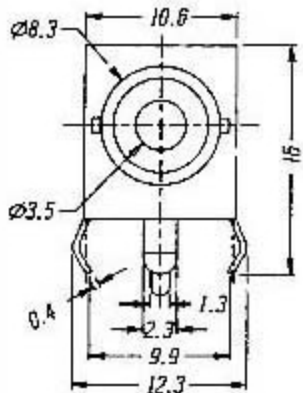
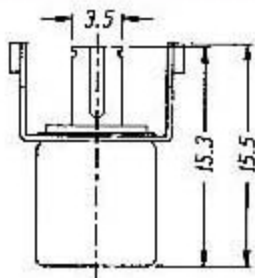
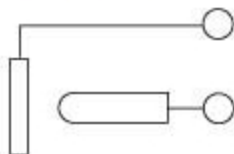


## RC-101 SERIES



MODEL NO.	BASE COLOR	EYELET PLATING	COLOR
RC-101-B	NICKEL	NICKEL	BLACK
RC-101-R	NICKEL	NICKEL	RED
RC-101-Y	NICKEL	NICKEL	YELLOW
RC-101-W	NICKEL	NICKEL	WHITE

### CIRCUIT DIAGRAM



### SPECIFICATIONS

Rating : 0.3A 30V DC