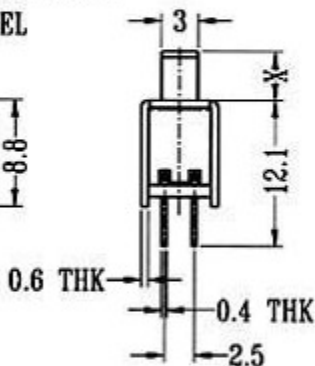
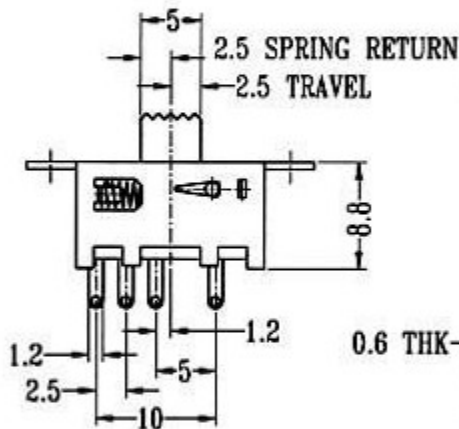
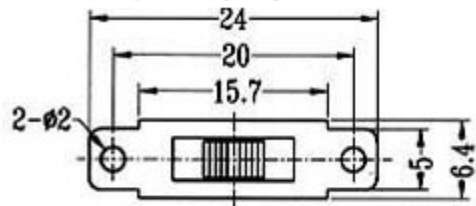
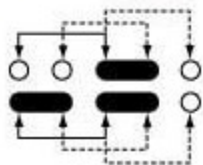


PSS-23E08

(SPRING+LOCK)



CIRCUIT DIAGRAM



SPECIFICATIONS

Rating : 0.3A 50V DC

Function : 2P3T

⊗ SHORTING