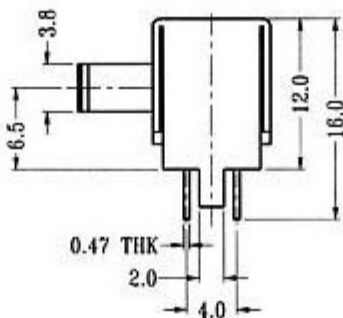
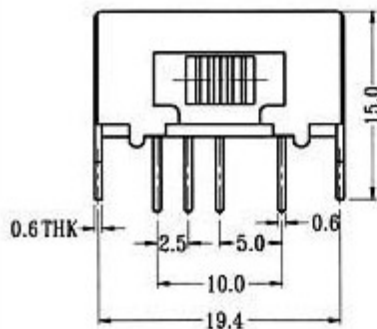
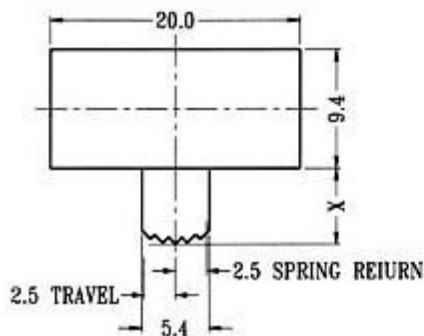
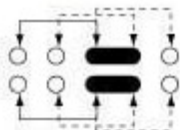


PSK-23E01



CIRCUIT DIAGRAM



SPECIFICATIONS

⚡ SHORTING

Rating : 0.3A 50V DC

Function: 2P3T