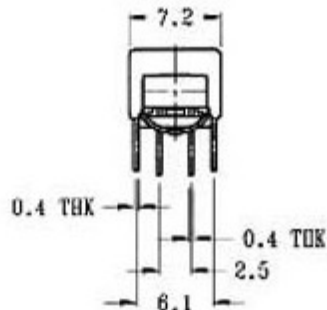
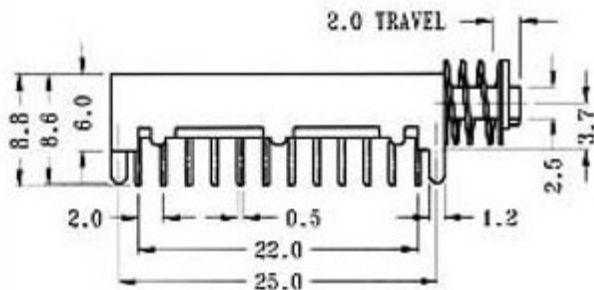
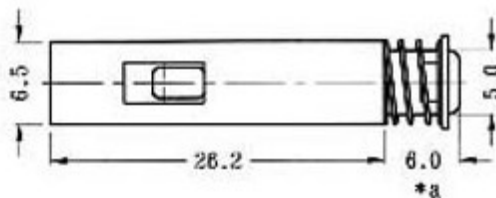
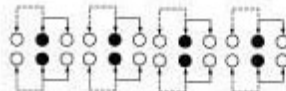


PS-82D03



CIRCUIT DIAGRAM



SPECIFICATIONS

Rating : 0.3A 50V DC
Function: 8P2T

Ⓢ SHORTING