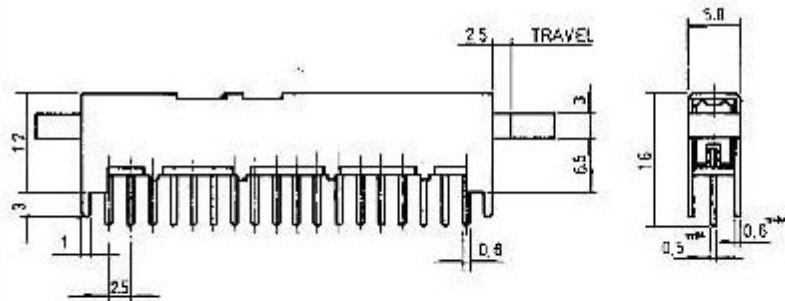
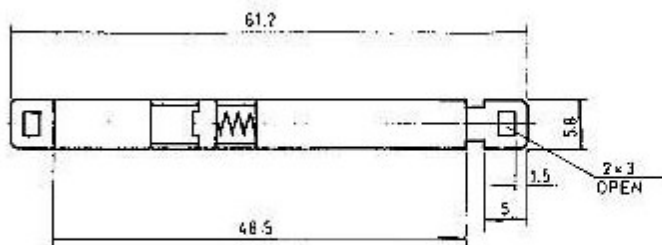


Ⓝ PS-62E01
 Ⓢ PS-62E03



CIRCUIT DIAGRAM

SPECIFICATIONS

Ⓝ NON-SHORTING
 Ⓢ SHORTING



Rating : 0.3A 50V DC
 Function: 6P2T