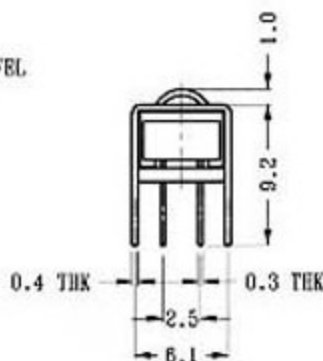
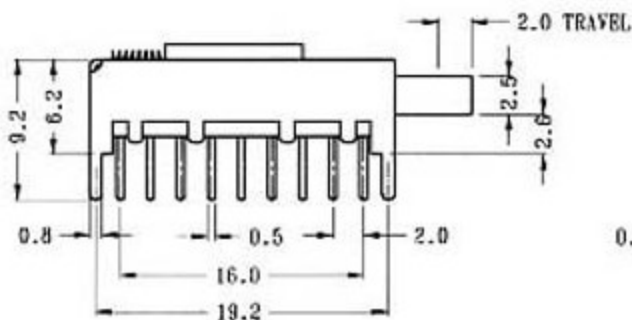
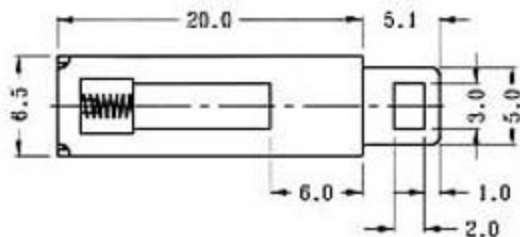


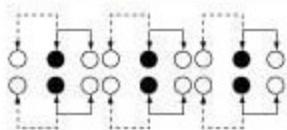
PS-62D28



CIRCUIT DIAGRAM

SPECIFICATIONS

⚡ SHORTING



Rating : 0.3A 50V DC

Function: 6P2T