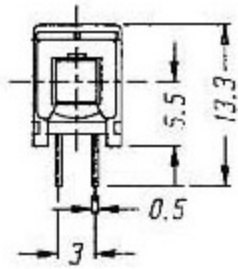
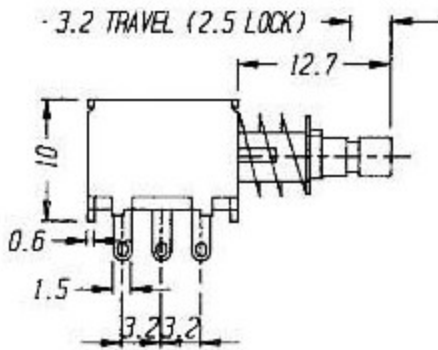


**PS-22F60**  
**PS-22F61**

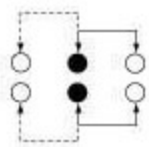
(LOCKED)  
(NON-LOCKED)



**CIRCUIT DIAGRAM**

**SPECIFICATIONS**

**N** NON-SHORTING



Rating : 0.3A 50V DC  
Function: 2P2T