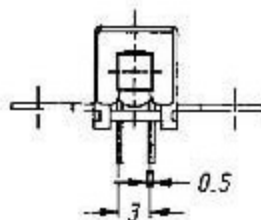
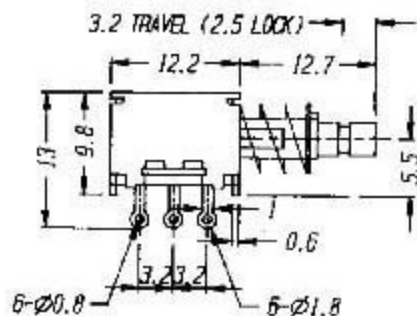
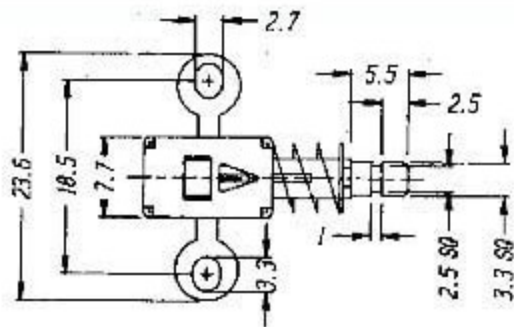


# PS-22F54

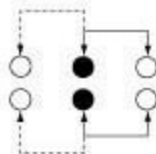
(LOCKED)



**CIRCUIT DIAGRAM**

**SPECIFICATIONS**

**N** NON-SHORTING



Rating : 0.3A 50V DC

Function: 2P2T