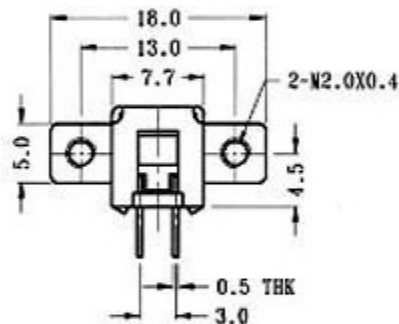
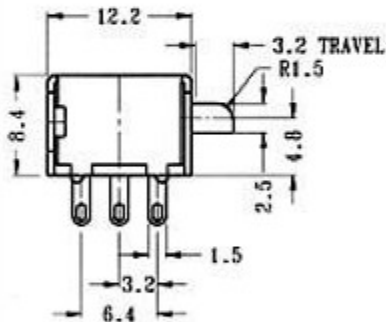
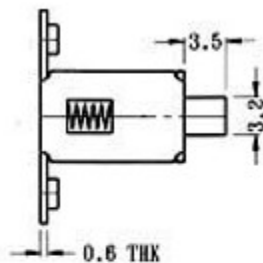


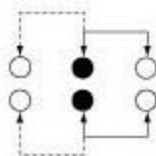
PS-22F48

Optional knob type

TR					



CIRCUIT DIAGRAM



SPECIFICATIONS

Rating : 0.3A 50V DC
Function: 2P2T

NON-SHORTING