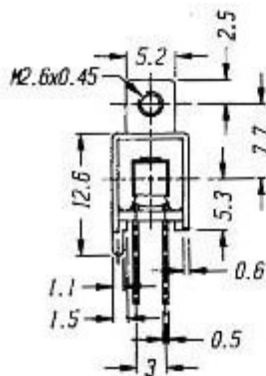
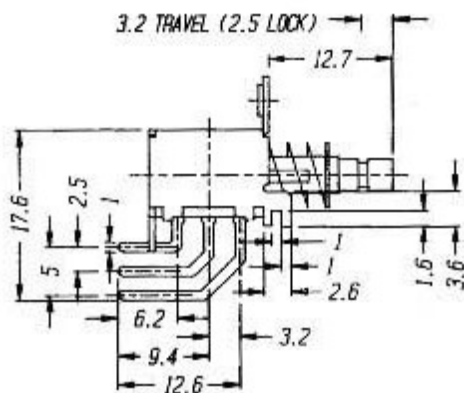
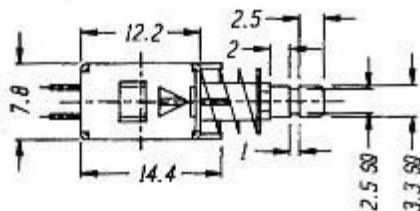


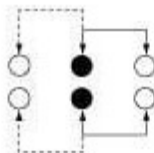
(LOCKED)



**CIRCUIT DIAGRAM**

**SPECIFICATIONS**

**NON-SHORTING**



Rating : 0.3A 50V DC

Function: 2P2T