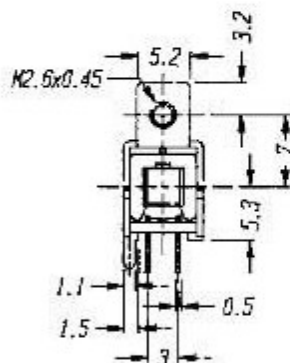
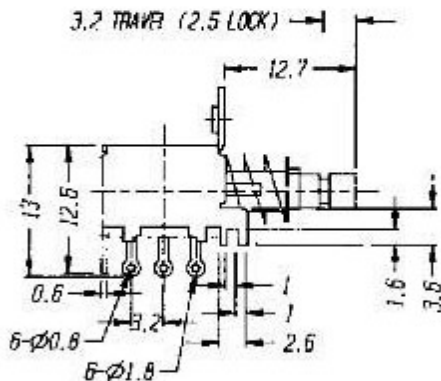
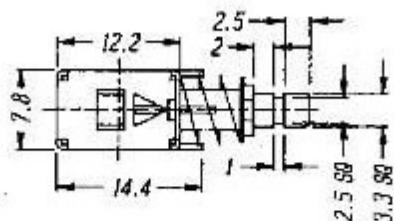


PS-22F37

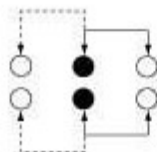
(LOCKED)



CIRCUIT DIAGRAM

SPECIFICATIONS

NON-SHORTING



Rating : 0.3A 50V DC

Function: 2P2T