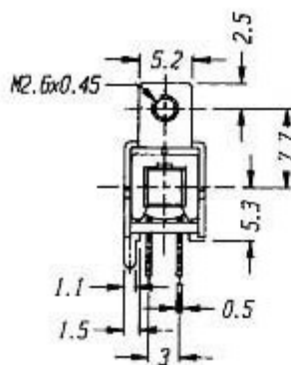
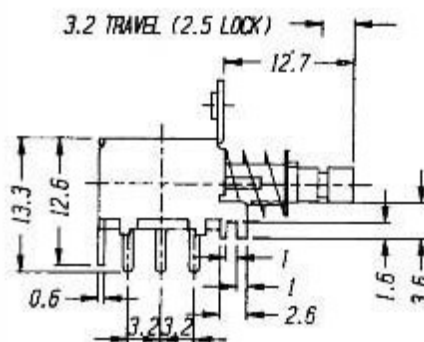
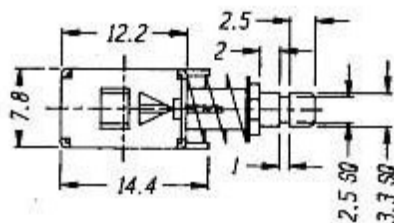


PS-22F29
PS-22F30

(LOCKED)

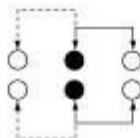
(NON-LOCKED)



CIRCUIT DIAGRAM

SPECIFICATIONS

N NON-SHORTING



Rating : 0.3A 50V DC

Function: 2P2T