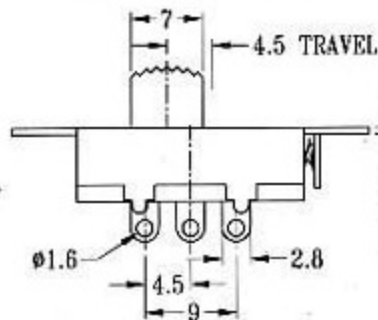
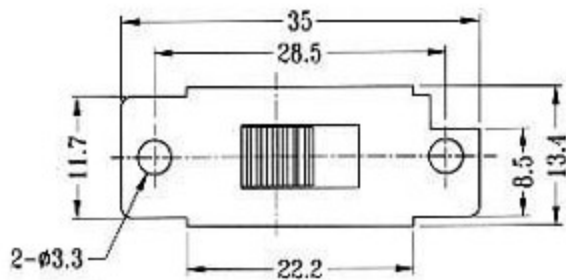


PS-12I03

(SPRING RETURN)



CIRCUIT DIAGRAM

SPECIFICATIONS

NON-SHORTING



Rating : 1.5A 250V AC

Function: 1P2T