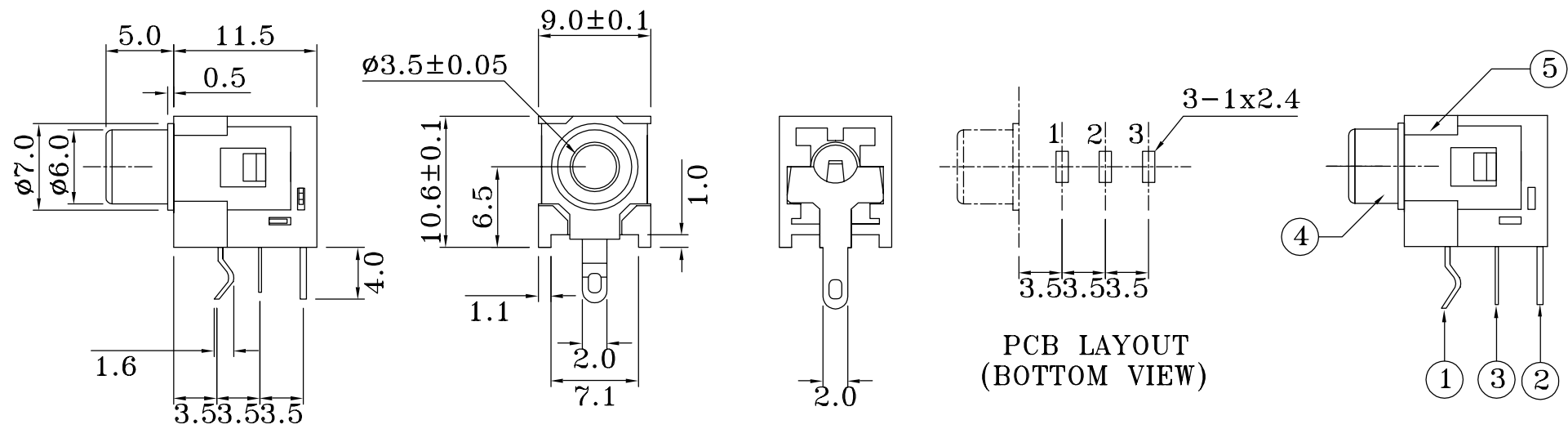
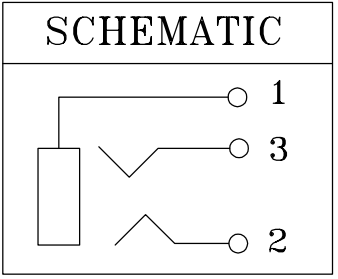


REV	ZONE	REVISION	DATE



NO.	NAME	MATERIAL	FINISH	Q'TY
1	GROUND TERM.	C.R.S. 0.4THK	TIN PLATED	1
2	RING TERM.	BRASS 0.5THK	TIN PLATED	1
3	TIP TERM.	PHOS. BRONZE 0.25THK	TIN PLATED	1
4	BUSHING	BRASS	NICKEL PLATED	1
5	HOUSING	PBT	BLACK	1



 <b>E-YUNG ENTERPRISE CO., LTD.</b>			COMPUTER NO.			UNIT	SCALE	PART NAME	
			D:\DWG\PJ-2017A			mm	2:1	PHONE JACK	
MODEL	PJ-2017A	PAGE 1 OF 1	APPD.	CKD.	DWG.	DATE	TOLERANCE	PART NO.	REV.
					TINA	10-4-00	±0.3		A