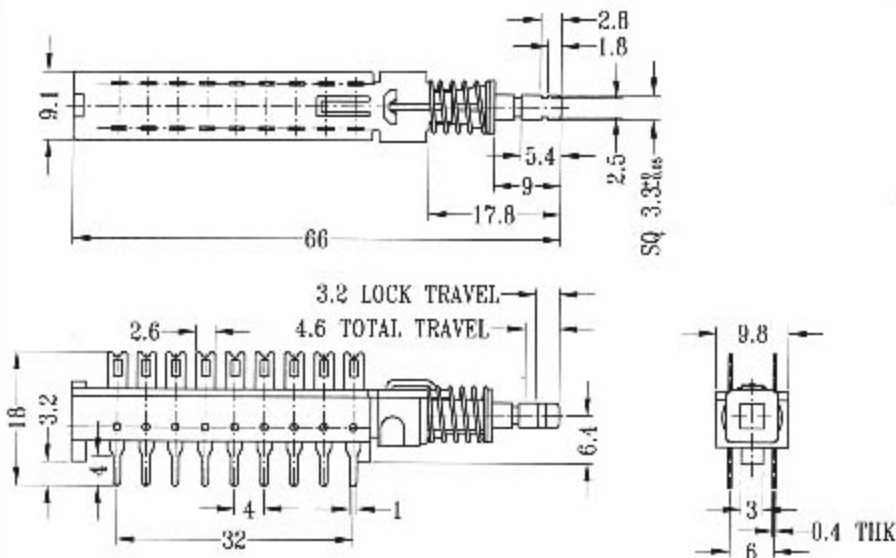


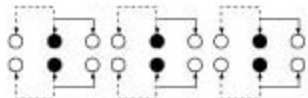
PBS-62H01

(LOCKED)



CIRCUIT DIAGRAM

SPECIFICATIONS



Rating : 0.5A 50V DC

Function: 6P2T