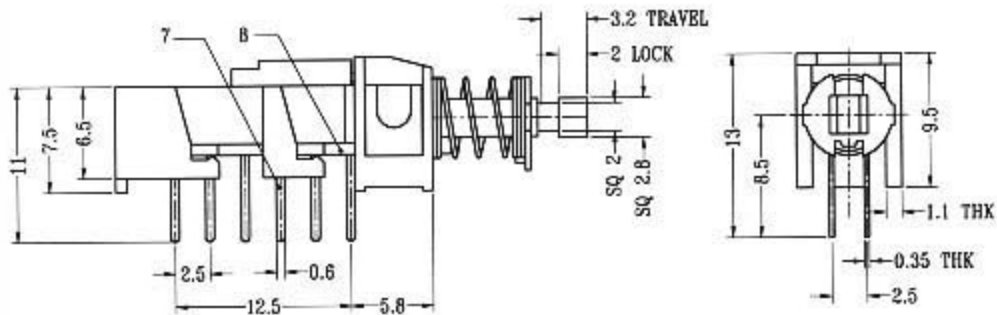
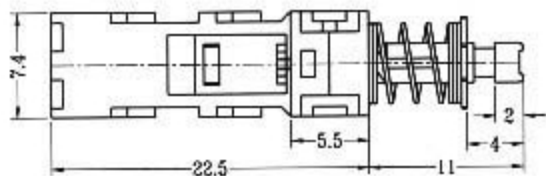
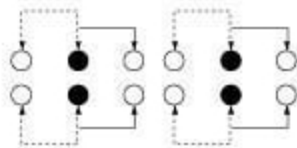


## PBS-42D02

(LOCKED)



### CIRCUIT DIAGRAM



### SPECIFICATIONS

Rating : 0.3A 50V DC

Function: 4P2T