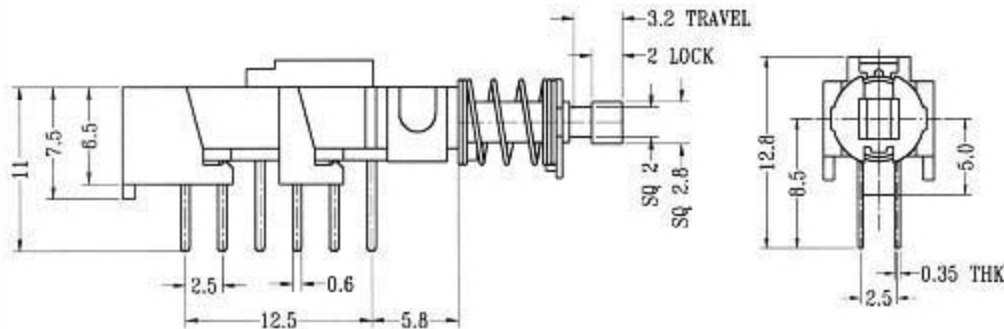
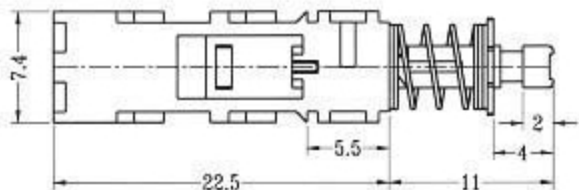


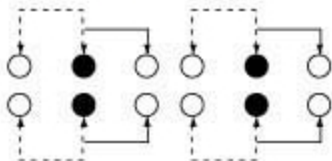
# PBS-42D01

(LOCKED)



## CIRCUIT DIAGRAM

## SPECIFICATIONS



Rating : 0.3A 50V DC  
Function: 4P2T