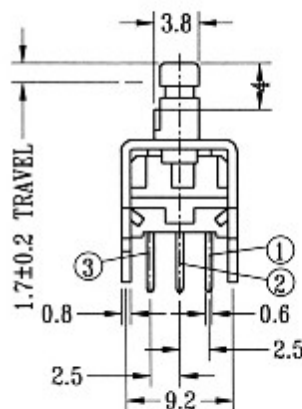
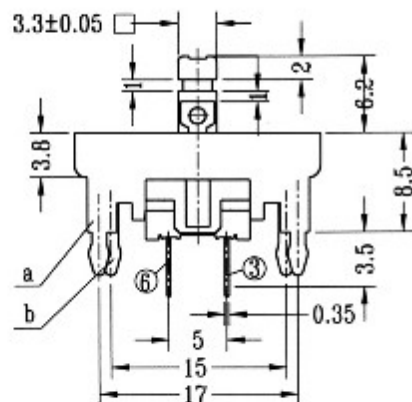
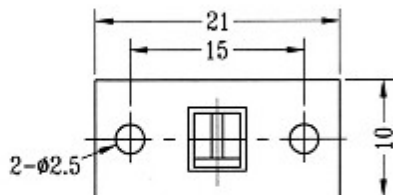


PBM-0103

(WHITE LEVER/NON-LOCK)

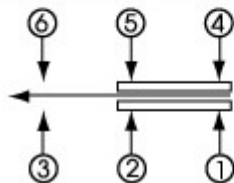
PBM-0113

(BLUE LEVER/SELF-LOCK)



CIRCUIT DIAGRAM

SPECIFICATIONS



Rating:0.1A 30V DC

Function:2P2T

Operating Force: 250±50gf