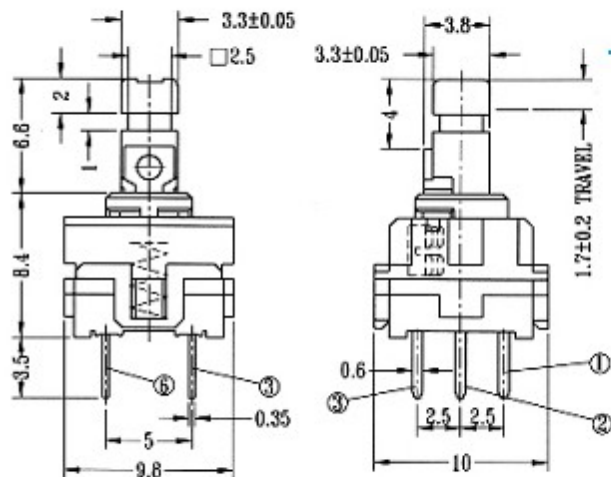


PBM-0101

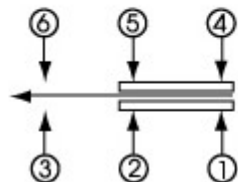
(WHITE LEVER/NON-LOCK)

PB-0111

(BLUE LEVER/SELF-LOCK)



CIRCUIT DIAGRAM



SPECIFICATIONS

Rating: 0.1A 30V DC

Function: 2P2T

Operating Force: 250±50gf