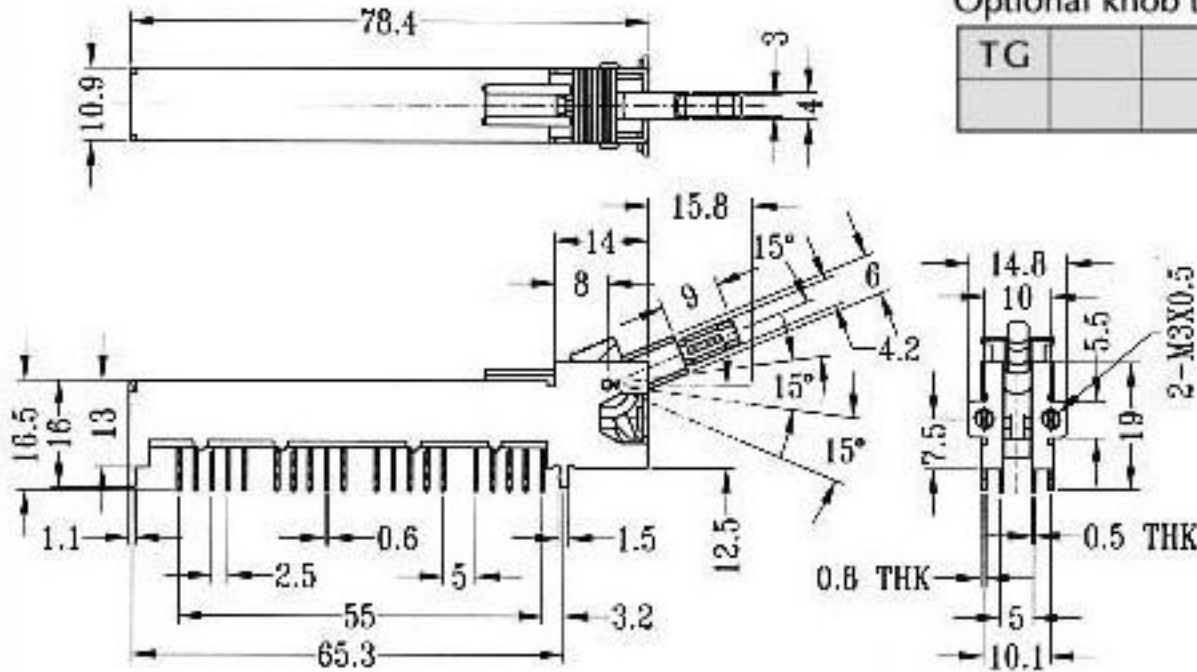


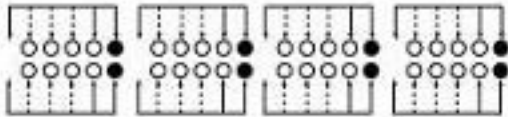
NS-84E02

Optional knob type

| | | | | | |
|----|--|--|--|--|--|
| TG | | | | | |
| | | | | | |



CIRCUIT DIAGRAM



SPECIFICATIONS

Rating : 0.3A 50V DC
Function: 8P4T

NON-SHORTING