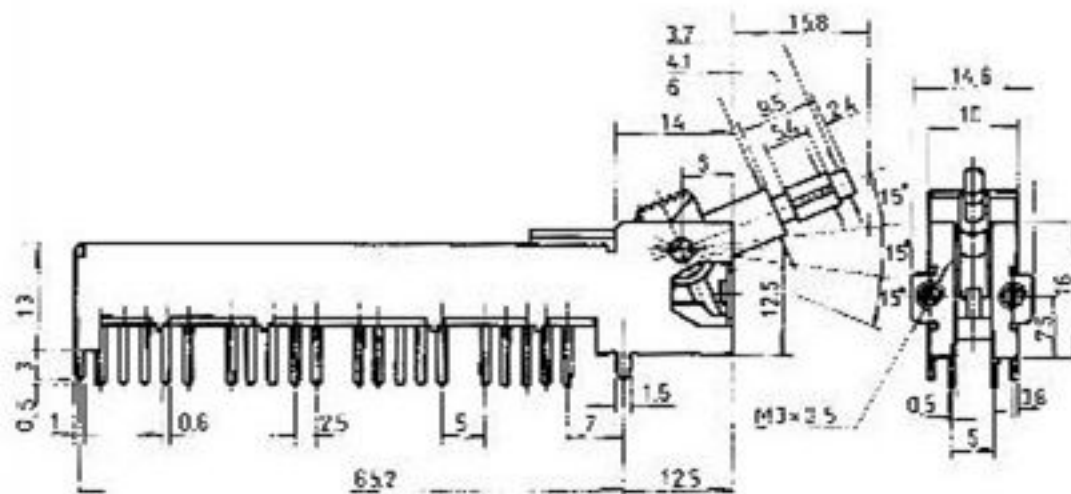
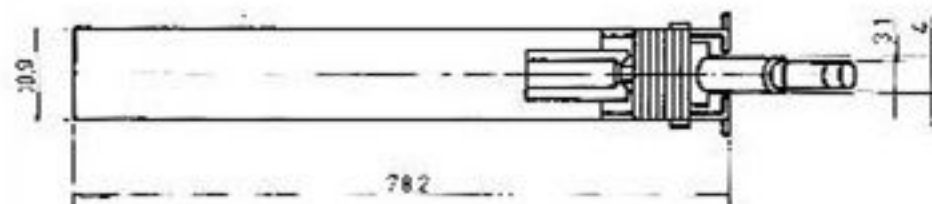


NS-84E01

Optional knob type

TD					



CIRCUIT DIAGRAM

SPECIFICATIONS

NON-SHORTING



Rating : 0.3A 50V DC
Function: 8P4T