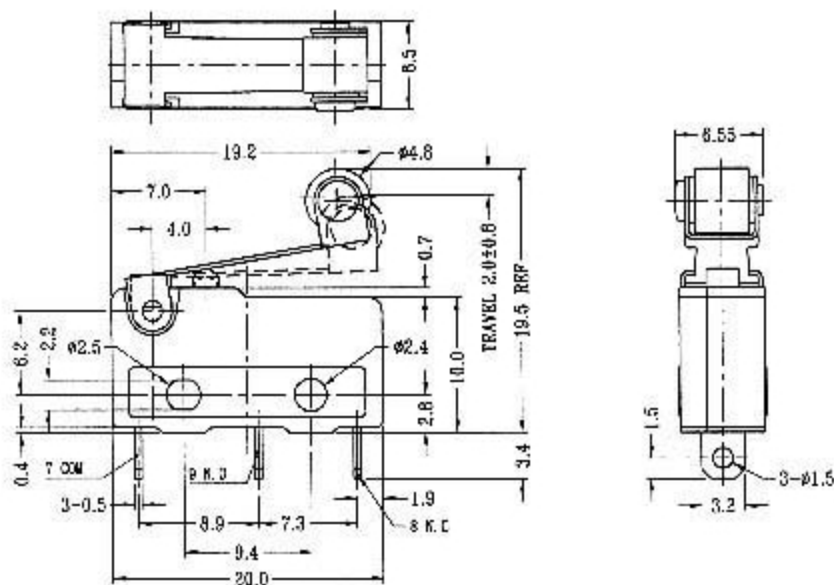
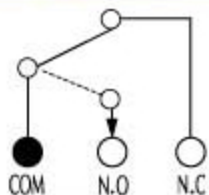


MX-98



CIRCUIT DIAGRAM



SPECIFICATIONS

Rating : 2A 24V DC
 3A 250V AC
 Function: 1P2T