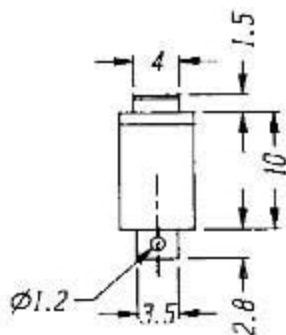
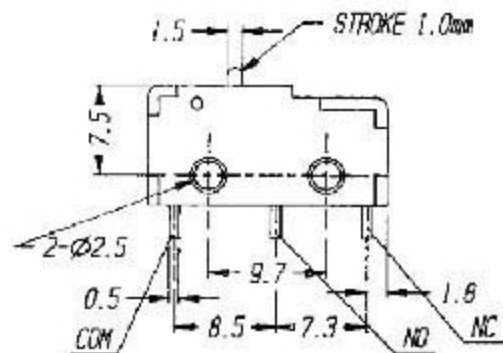
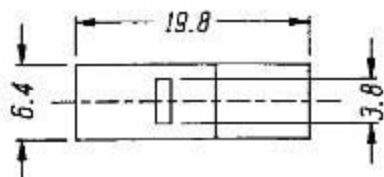
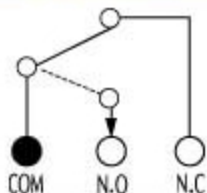


**MX-90**



**CIRCUIT DIAGRAM**



**SPECIFICATIONS**

Rating : 1A 125V AC  
Function: 1P2T