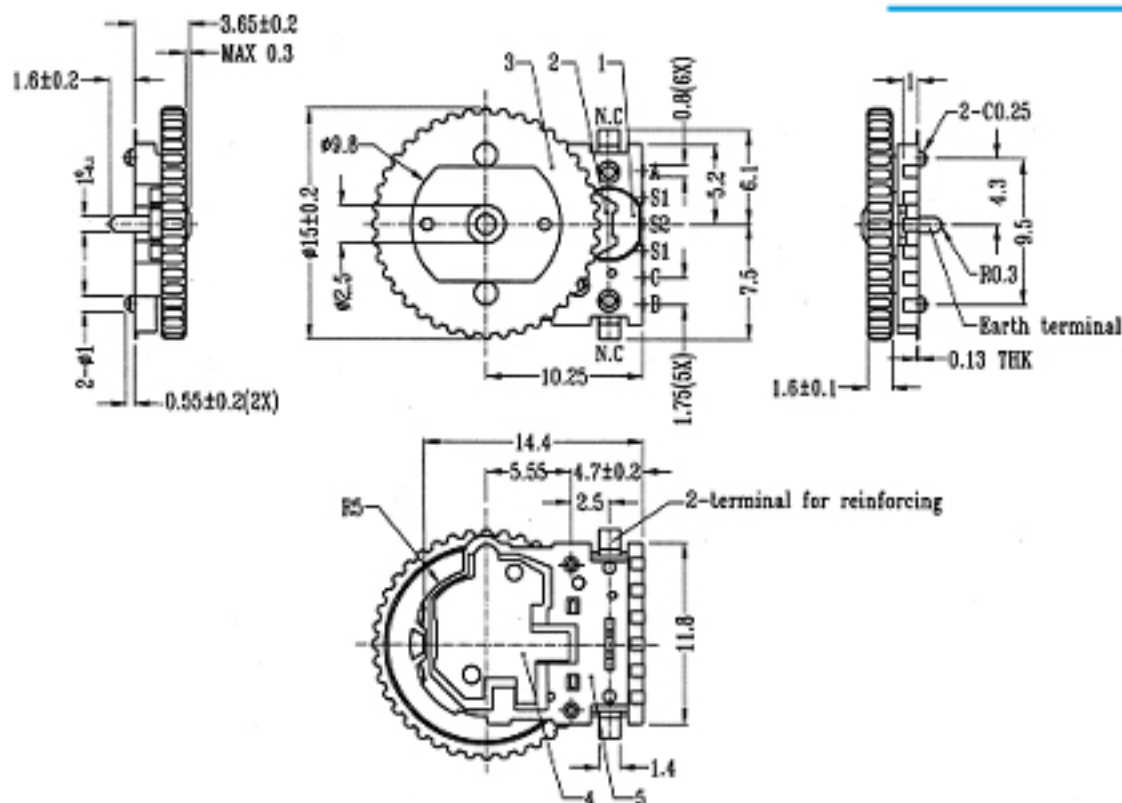


MT-006



CIRCUIT DIAGRAM



SPECIFICATIONS

Rating : 50mA 12V DC
1mA 10V DC (ENCODER)